

B12S-J1000-R
B12S-J1000-S

Infortrend[®]

EonStor[®] B12S 1U JBOD

Ease of Scalability
with
2.5-inch SAS Disk Drives



for 2.5-inch SFF HDD!

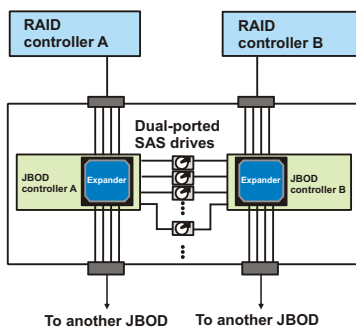
OVERVIEW

The B12S JBOD attaches to the B12 series 1U-profile RAID system using the latest 2.5" enterprise-class SAS disk drives. The 2.5" drives enable the design of a highly compact RAID application with better transaction rates than its 3.5" counterpart.

Use of 2.5" drives delivers greater performance density, takes up 66% less of rack space, and consumes almost only one third less of power.

The series also supports the option with large capacity SATA drives by attaching 2U or 3U JBOD.

HIGH AVAILABILITY



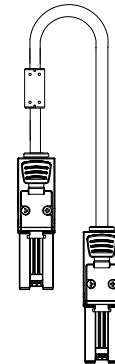
Utilizing SAS drives' dual-ported connectivity, data paths are routed through redundant expanders and controller modules to ensure the optimal availability of your data.

In addition to path redundancy, all components are designed to withstand harsh environments and strenuous work loads. With the help of intelligent firmware algorithms, the enclosure can be operated with an ease of mind.

THE SCALABILITY

60 HDD in just 5U space!

Ease of cabling using
Mini-SAS SFF-8088
cables



HIGHLIGHTS

- **B12S-J1000-R: dual-controller SAS JBOD**
- **B12S-J1000-S: single-controller SAS JBOD**
- High availability over fault-tolerant links and fault-tolerant hardware
- Drive interface: 3Gbps 2.5" disk drives
- Max. scalability:
 - redundant-controller: 1 RAID + 3 JBOD
 - single-controller: 1 RAID + 4 JBOD
- Proprietary enclosure service via multi-lane SAS links (in-band) with a managing RAID system.
- RAID and JBOD matching table:

RAID Model	1U JBOD (SAS)	Configuration
Redundant controller: B12F-R1430 or B12S-R1030	B12S-J1000-R	Dual-controller; fault-tolerant paths
Single controller: B12F-G1430 or B12S-G1030	B12S-J1000-S	Single-controller; single path



AVAILABLE MODELS

Models	Controller	Host Ports	Drive Bays	Scalability
B12S-J1000-R	Dual	4 (SFF-8088)	12	1 RAID + 3 JBOD (48, SAS HDD / 60, SATA HDD)
B12S-J1000-S	Single	2 (SFF-8088)	12	1 RAID + 4 JBOD (60, SAS HDD / 76, SATA HDD)

B12S-J1000-R



B12S-J1000-S



SPECIFICATIONS

Subsystem Characteristics

- Vitesse expanders
- SAS host ports 4 or 2
- PSUs 2
- Cooling modules 2
- Diagnostic LEDs on all FRUs

Drive Interface

- No. of disk trays 12
- 3Gbps SAS
- Enclosure service

Host Connection Ports

- Data single path bandwidth SAS: 12Gbps

RAID Configurations

- Enclosure-specific spare drive
- HDD WWN SAS addresses by a rotary switch

High Availability

- Redundant, hot-swappable FRUs
- Subsystem self-diagnostics

Approvals

- BSMI, CB, CE, FCC, UL, cUL, RoHS
- Windows WHQL-Windows Server 2003

Requirements

- AC Input: 100 ~ 240VAC 380W with PFC
- DC Output: 12V-24A; 5V-30A
- Relative Humidity: 5% to 95% non-condensing
- Operating Temperature: 0°C to 35°C

Dimensions

- With chassis ears/protrusions: 483mm W x 43.5mm H x 500.6mm D (19 x 1.71 x 19.7 inches)
- Without chassis ears/protrusions: 444.8mm W x 43.5mm H x 497.8mm D (17.5 x 1.71 x 19.6 inches)

Asia Pacific

Tel: +886-2-2226-0126
Fax: +886-2-2226-0020
<http://www.infortrend.com>

China

Tel: +86-10-63106168
Fax: +86-10-63106188
<http://www.infortrend.com/china>

Americas

Tel: +1-408-988-5088
Fax: +1-408-988-6288
<http://www.infortrend.com/americas>

Japan

Tel: +81-3-5730-6551
Fax: +81-3-5730-6552
<http://www.infortrend.com/japan>

Europe

(UK)
Tel: +44 (0)1256-707700
Fax: +44 (0)1256-707889
<http://www.infortrend.com/europe>

(Germany)
Tel: +49 (0) 89 45 15 18 7 - 0
Fax: +49 (0)89 45 15 187 - 65
<http://www.infortrend.com/germany>